

UGS挠性接头 128/128B型

1 产品描述

1.1 规格

- DN350-1250(14-50"), 128型
- DN1300-2400(52-96"), 128B型
- 更大规格请咨询上海威逊

1.2 管道

- 碳钢: GB/T 9711, GB/T 8162, GB/T 8163, ASTM A334/A334M
- 不锈钢: GB/T 14976, GB/T 12771, ASTM A269

1.3 最大工作压力

- DN350-DN600: 2.5MPa/350psi
- DN650-DN1000: 2.1MPa/300psi
- DN1050-DN2400: 1.7MPa/250psi

1.4 应用

- 提供有限的轴向和角向位移用于补偿管道系统热胀冷缩, 振动。地震和不均匀沉降和其他需要挠性的应用。

1.5 功能

- 楔型键外形增加允许的管段分离, 使安装方便
- DN650及其以上规格带有吊环, 便于安装
- 注:
- UGS接头的密封圈材质选型, 参见DF-1008
- 128系列接头结合焊接短管可以用于磨损/泥浆管道系统



2 认证

—

3 部件材质

3.1 外壳: (确定选项)

- 标准: 碳钢, GB/T 700, GB/T 699, ASTM A105
- 选项: 球墨铸铁, GB/T 1348, ASTM A536
- 选项: 合金钢, GB/T 1591, ASTM A234

注: 其他涂层请联系上海威逊

3.2 表面涂层 (确定选项)

标准配置:

- 环氧树脂浸涂, 橘黄色
- 消防红, 环氧树脂浸涂或喷粉
- 天空蓝, 环氧树脂浸涂或喷粉
- 热镀锌 (可选), 或其他颜色。

注: 其他涂层请联系上海威逊

3.3 密封圈 (确定选项)

- EPDM三元乙丙
- NBR丁腈橡胶
- 硅橡胶
- 其他

UGS挠性接头 128/128B型

4 规范

无内衬应用



齐平



外凸

耐磨应用



橡胶内衬齐平



橡胶内衬外凸



防碰撞橡胶内衬齐平



防碰撞橡胶内衬外凸



碳化铬覆盖层

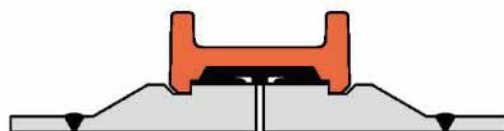


橡胶内衬齐平



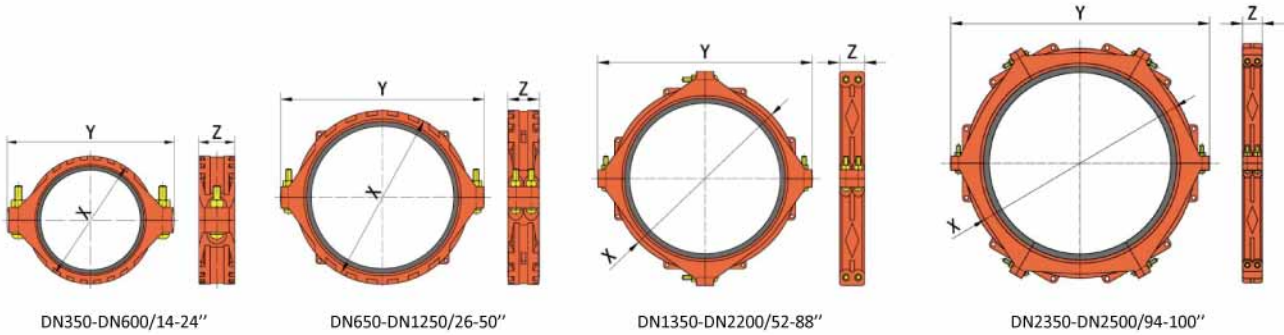
橡胶内衬外凸

根据要求选用



UGS挠性接头 128/128B型

5 尺寸



规格		轴向位移	偏转角	径向位移	螺栓/螺母	尺寸			大约重量
管道公称尺寸	突缘头/接头	-	-	-	数量规格	X	Y	Z	-
inches DN	inches mm	inches mm	度	in/ft mm/m	inches mm	inches mm	inches mm	inches mm	ib kg
12 DN300	14.0	0.13-0.31	0.73	0.154	2-1 x6	16.25	20.88	4.75	52.0
	355.6	3.3-7.9	0.73	12.860	2-M24x150	409.00	525.00	114.00	23.4
14 DN350	16.0	0.13-0.31	0.64	0.135	2-1 x 6	18.50	22.88	4.88	62.0
	406.4	3.3-7.9	0.64	11.250	2-M24x150	462.00	580.00	114.00	29.5
16 DN400	18.0	0.13-0.31	0.57	0.120	2-1 x 6	20.63	24.88	4.88	67.0
	457.2	3.3-7.9	0.57	10.000	2-M24x150	482.00	600.00	114.00	30.6
18 DN450	20.0	0.13-0.31	0.51	0.108	2-1 1/8x 6	22.88	28.00	4.88	88.0
	508.0	3.3-7.9	0.51	9.000	2-M27x150	568.00	686.00	114.00	39.3
20 DN500	22.0	0.13-0.31	0.46	0.098	2-1 1/8 x 6	25.00	30.50	4.88	102.0
	558.8	3.3-7.9	0.46	8.180	2-M27x150	636.00	774.00	124.00	46.5
22 DN550	24.0	0.13-0.31	0.42	0.090	2-1 1/8 x 6	27.50	32.25	4.88	115.0
	609.6	3.3-7.9	0.42	7.500	2-M27x150	671.00	802.00	114.00	48.5
24 DN600	26.0	0.15-0.53	0.83	0.175	4-1 1/8 x 7	30.75	35.75	6.00	215.0
	660.4	3.8-13.5	0.83	14.620	4-M27x150	743.00	889.00	144.00	93.0
26 DN650	28.0	0.15-0.53	0.77	0.163	4-1 1/8 x 7	32.75	37.75	6.00	230.0
	711.2	3.8-13.5	0.77	13.570	4-M27x180	799.00	940.00	144.00	99.8
28 DN700	30.0	0.15-0.53	0.72	0.152	4-1 1/4 x 7	34.50	40.25	6.00	240.0
	762.0	3.8-13.5	0.72	12.670	4-M30x180	852.00	991.00	144.00	101.1
30 DN750	32.0	0.15-0.53	0.68	0.143	4-1 1/4 x 7	36.75	42.25	6.00	255.0
	812.8	3.8-13.5	0.68	11.870	4-M30x180	852.00	991.00	144.00	103.0
32 DN800	34.0	0.15-0.53	0.64	0.134	4-1 1/4 x 7	38.75	44.25	6.00	275.0
	863.6	3.8-13.5	0.64	11.180	4-M30x180	904.00	1044.00	144.00	109.8
34 DN850	36.0	0.15-0.53	0.60	0.127	4-1 1/4 x 7	40.75	46.25	6.00	300.0
	914.4	3.8-13.5	0.60	10.560	4-M30x180	991.00	1150.00	144.00	121.6
36 DN900	38.0	0.15-0.53	0.57	0.120	4-1 1/4 x 7	42.75	48.25	6.00	325.0
	965.2	3.8-13.5	0.57	10.000	4-M30x180	991.00	1150.00	144.00	121.6
38 DN950	40.0	0.21-0.59	0.54	0.114	4-1 1/2 x 7.5	44.50	51.50	6.75	375.0
	1016.0	5.3-15.0	0.54	9.500	4-M36x190	1122.00	1282.00	165.00	154.2
40 DN1000	42.0	0.21-0.59	0.51	0.109	4-1 1/2 x 7.5	46.50	53.00	6.75	375.0
	1066.8	5.3-15.0	0.51	9.050	4-M36x190	1175.00	1333.00	165.00	163.3
42 DN1050	44.0	0.21-0.59	0.49	0.104	4-1 1/2 x 7.5	49.00	55.00	6.75	425.0
	1117.6	5.3-15.0	0.49	8.640	4-M36x190	1230.00	1384.00	165.00	174.3
44 DN1100	46.0	0.21-0.59	0.47	0.099	4-1 1/2 x 7.5	51.00	57.00	6.75	450.0
	1168.4	5.3-15.0	0.47	8.260	4-M36x190	1283.00	1435.00	165.00	188.2

- 允许的管端间隙仅用于系统的管道布置，128/128B是柔性接头，能补偿管道系统的热胀冷缩。

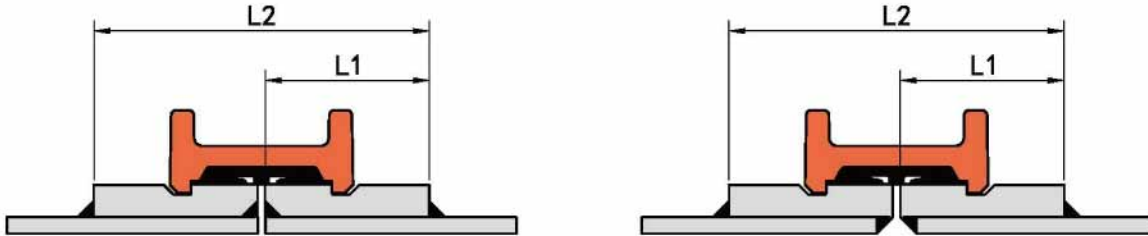
UGS挠性接头 128/128B型

规格		轴向位移	偏转角	径向位移	螺栓/螺母	尺寸			大约重量
管道公称尺寸	突缘头/接头	-	-	-	数量规格	X	Y	Z	-
inches DN	inches mm	inches mm	度	in/ft mm/m	inches mm	inches mm	inches mm	inches mm	ib kg
46 DN1150	48.0	0.21-0.59	0.45	0.095	4-1 1/2 x 8	53.0	59	6.75	450
	1219.2	5.3-5.0	0.45	7.920	4-M36x200	1346.0	1498	172	204
48 DN1200	50.0	0.21-0.59	0.43	0.091	4-1 1/2 x 8	55.5	61.5	10.25	575
	1270.0	5.3-5.0	0.43	7.600	4-M36x200	1410.0	1562	260	261
50 DN1250	52.0	0.28-0.66	0.41	0.088	8-1 1/2 x 9 1/2	58.5	67.5	10.25	975
	1320.8	7.1-16.8	0.41	7.310	8-M36x240	1486.0	1714	260	442.5
52 DN1300	54.0	0.28-0.66	0.4	0.084	8-1 1/2 x 9 1/2	60.5	69.5	10.25	1000
	1371.6	7.1-16.8	0.4	7.040	8-M36x240	1536.0	1766	260	453.5
54 DN1350	56.0	0.28-0.66	0.38	0.081	8-1 1/2 x 9 1/2	62.5	71.5	10.25	1025
	1422.4	7.1-16.8	0.38	6.790	8-M36x240	1588.0	1816	260	465
56 DN1400	58.0	0.28-0.66	0.37	0.079	8-1 1/2 x 9 1/2	64.5	73.5	10.25	1050
	1473.2	7.1-16.8	0.37	6.550	8-M36x240	1638.0	1866	260	476.5
58 DN1450	60.0	0.28-0.66	0.36	0.076	8-1 1/2 x 9 1/2	66.5	75.5	10.25	1075
	1524.0	7.1-16.8	0.36	6.330	8-M36x240	1690.0	1918	260	487.5
60 DN1500	62.0	0.28-0.66	0.35	0.074	8-1 1/2 x 9 1/2	69.0	78.5	10.5	1150
	1574.8	7.1-16.8	0.35	6.130	8-M36x240	1752.0	1994	266	521.5
62 DN1550	64.0	0.28-0.66	0.34	0.071	8-1 1/2 x 9 1/2	71.0	80.5	10.5	1175
	1625.6	7.1-16.8	0.34	5.940	8-M36x240	1804.0	2044	266	533
64 DN1600	66.0	0.28-0.66	0.33	0.069	8-1 1/2 x 9 1/2	73.0	82.5	10.5	1200
	1676.4	7.1-16.8	0.33	5.760	8-M36x240	1854.0	2096	266	544.5
66 DN1650	68.0	0.28-0.66	0.32	0.067	8-1 1/2 x 9 1/2	75.5	84.5	10.5	1275
	1727.2	7.1-16.8	0.32	5.590	8-M36x240	1918.0	2146	266	578.5
68 DN1700	70.0	0.28-0.66	0.31	0.065	8-1 1/2 x 9 1/2	78.0	87.5	10.5	1350
	1778.0	7.1-16.8	0.31	5.430	8-M36x240	1982.0	2222	266	612.5
70 DN1750	72.0	0.28-0.66	0.3	0.063	8-1 1/2 x 9 1/2	80.0	89.5	10.5	1426
	1828.8	7.1-16.8	0.3	5.280	8-M36x240	2032.0	2274	266	646.5
72 DN1800	74.0	0.28-0.66	0.29	0.062	8-1 1/2 x 9 1/2	83.5	92	10.38	1750
	1879.6	7.1-16.8	0.29	5.140	8-M36x240	2120.0	2336	264	794
74 DN1850	78.0	0.28-0.66	0.27	0.058	8-1 3/4 x 12	86.0	97.5	12	1900
	1981.2	7.1-16.8	0.27	4.870	8-M42x300	2184.0	2476	304	862
80 DN2000	84.0	0.28-0.66	0.25	0.054	8-1 3/4 x 12	92.5	103.5	12.5	2400
	2133.6	7.1-16.8	0.25	4.520	8-M42x300	2350.0	2628	318	1088.5
84 DN2100	88.0	0.28-0.66	0.24	0.052	8-1 3/4 x 12	96.5	107.5	12.25	2175
	2235.2	7.1-16.8	0.24	4.320	8-M42x300	2452.0	2730	312	986.5
90 DN2250	94.0	0.00-0.90	0.54	0.115	12-1 3/4 x 12	104.5	115.5	13.25	3775
	2387.6	0.0-22.9	0.54	9.570	12-M42x300	2654.0	2934	336	1712.5
96 DN2400	100.0	0.00-0.90	0.51	0.108	12-1 3/4 x 12	110.5	121.5	13.25	3925
	2540.0	0.0-22.9	0.51	9.000	12-M42x300	2806.0	3086	336	1780.5

- 允许的管端间隙仅用于系统的管道布置，128/128B是柔性接头，能补偿管道系统的热胀冷缩。

UGS挠性接头 128/128B型

5.1 尺寸



管道公称尺寸	接头尺寸	突缘头	L1	L2	突缘头约重
inches DN	inches mm	inches mm	inches mm	inches mm	lb kg
12 DN300	14.0	14.0	3.0	6.13-6.31	20.0
	355.6	355.6	77.0	155.8-160.2	9.0
14 DN350	16.0	16.0	3.0	6.13-6.31	39.0
	406.4	406.4	77.0	155.8-160.2	17.5
16 DN400	18.0	18.0	3.0	6.13-6.31	43.0
	457.2	457.2	77.0	155.8-160.2	19.5
18 DN450	20.0	20.0	3.0	6.13-6.31	48.0
	508.0	508.0	77.0	155.8-160.2	22.0
20 DN500	22.0	22.0	3.0	6.13-6.31	53.0
	558.8	558.8	77.0	155.8-160.2	24.0
22 DN550	24.0	24.0	4.0	6.13-6.31	58.0
	609.6	609.6	102.0	155.8-160.2	26.5
24 DN600	26.0	26.0	4.0	8.15-8.53	84.0
	660.4	660.4	102.0	207.1-216.6	38.0
26 DN650	28.0	28.0	4.0	8.15-8.53	90.0
	711.2	711.2	102.0	207.1-216.6	41.0
28 DN700	30.0	30.0	4.0	8.15-8.53	41.0
	762.0	762.0	102.0	207.1-216.6	44.0
30 DN750	32.0	32.0	4.0	8.15-8.53	105.0
	812.8	812.8	102.0	207.1-216.6	47.5
32 DN800	34.0	34.0	4.0	8.15-8.53	115.0
	863.6	863.6	102.0	207.1-216.6	52.0
34 DN850	36.0	36.0	4.0	8.15-8.53	120.0
	914.4	914.4	102.0	207.1-216.6	54.5
36 DN900	38.0	38.0	4.0	8.15-8.53	125.0
	965.2	965.2	102.0	207.1-216.6	56.5
38 DN950	40.0	40.0	4.3	8.71-9.09	140.0
	1016.0	1016.0	108.0	221.3-230.8	63.5
40 DN1000	42.0	42.0	4.3	8.71-9.09	145.0
	1066.8	1066.8	108.0	221.3-230.8	66.0
42 DN1050	44.0	44.0	4.3	8.71-9.09	155.0
	1117.6	1117.6	108.0	221.3-230.8	70.5
44 DN1100	46.0	46.0	4.3	8.71-9.09	160.0
	1168.4	1168.4	108.0	221.3-230.8	72.5
46 DN1150	48.0	48.0	4.3	8.71-9.09	165.0
	1219.2	1219.2	108.0	221.3-230.8	75.0
48 DN1200	50.0	50.0	4.3	8.71-9.09	195.0
	1270.0	1270.0	108.0	221.3-230.8	88.5
50 DN1250	52.0	52.0	5.0	10.28-10.66	210.0
	1320.8	1320.8	127.0	261.2-270.7	95.5
52 DN1300	54.0	54.0	5.0	10.28-10.66	225.0
	1371.6	1371.6	127.0	261.2-270.7	102.0

UGS挠性接头 128/128B型

管道公称尺寸	接头尺寸	突缘头	L1	L2	突缘头约重
inches DN	inches mm	inches mm	inches mm	inches mm	lb kg
54 DN1350	56.0	56.0	5.0	10.28 - 10.66	230.0
	1422.4	1422.4	127.0	261.2 - 270.7	104.5
56 DN1400	58.0	58.0	5.0	10.28 - 10.66	240.0
	1473.2	1473.2	127.0	261.2 - 270.7	109.0
58 DN1450	60.0	60.0	5.0	10.28 - 10.66	250.0
	1524.0	1524.0	127.0	261.2 - 270.7	113.5
60 DN1500	62.0	62.0	5.0	10.28 - 10.66	300.0
	1574.8	1574.8	127.0	261.2 - 270.7	136.0
62 DN1550	64.0	64.0	6.0	12.28 - 12.66	350.0
	1625.6	1625.6	153.0	312.0 - 321.5	159.0
64 DN1600	66.0	66.0	6.0	12.28 - 12.66	350.0
	1676.4	1676.4	153.0	312.0 - 321.5	159.0
66 DN1650	68.0	68.0	6.0	12.28 - 12.66	375.0
	1727.2	1727.2	153.0	312.0 - 321.5	170.0
68 DN1700	70.0	70.0	6.0	12.28 - 12.66	375.0
	1778.0	1778.0	153.0	312.0 - 321.5	170.0
70 DN1750	72.0	72.0	6.0	12.28 - 12.66	375.0
	1828.8	1828.8	153.0	312.0 - 321.5	170.0
72 DN1800	74.0	74.0	6.0	12.28 - 12.66	400.0
	1879.6	1879.6	153.0	312.0 - 321.5	181.5
74 DN1850	78.0	78.0	7.0	14.28 - 14.66	875.0
	1981.2	1981.2	178.0	362.8 - 372.3	397.0
80 DN2000	84.0	84.0	7.0	14.28 - 14.66	950.0
	2133.6	2133.6	178.0	362.8 - 372.3	431.0
84 DN2100	88.0	88.0	7.0	14.28 - 14.66	1000.0
	2235.2	2235.2	178.0	362.8 - 372.3	453.5
90 DN2250	94.0	94.0	8.0	16.00 - 16.90	1075.0
	2387.6	2387.6	204.0	406.4 - 429.2	487.5
96 DN2400	100.0	100.0	8.0	16.00 - 16.90	1150.0
	2540.0	2540.0	204.0	406.4 - 429.2	521.5

更大规格请咨询上海威逊

UGS挠性接头 128/128B型

5.2 尺寸

规格		突缘内径		规格		突缘内径	
管道公称尺寸	接头尺寸	-		管道公称尺寸	接头尺寸	-	
inches DN	inches mm	inches mm		inches DN	inches mm	inches mm	
12 DN300	14.0 355.6	12.88 327.20		48 DN1200	50.0 1270.0	公称管径 + 0.250"/6.4毫米	
14 DN350	16.0 406.4	14.14 359.20		50 DN1250	52.0 1320.8		
16 DN400	18.0 457.2	16.16 410.50		52 DN1300	54.0 1371.6		
18 DN450	20.0 508.0	18.18 461.80		54 DN1350	56.0 1422.4		
20 DN500	22.0 558.8	20.20 513.10		56 DN1400	58.0 1473.2		
22 DN550	24.0 609.6	22.22 564.40		58 DN1450	60.0 1524.0		
24 DN600	26.0 660.4	公称管径 + 0.250"/6.4毫米		60 DN1500	62.0 1574.8		
26 DN650	28.0 711.2			62 DN1550	64.0 1625.6		
28 DN700	30.0 762.0			64 DN1600	66.0 1676.4		
30 DN750	32.0 812.8			66 DN1650	68.0 1727.2		
32 DN800	34.0 863.6			68 DN1700	70.0 1778.0		
34 DN850	36.0 914.4			70 DN1750	72.0 1828.8		
36 DN900	38.0 965.2			72 DN1800	74.0 1879.6		
38 DN950	40.0 1016.0			74 DN1850	78.0 1981.2		
40 DN1000	42.0 1066.8			80 DN2000	84.0 2133.6		
42 DN1050	44.0 1117.6			84 DN2100	88.0 2235.2		
44 DN1100	46.0 1168.4			90 DN2250	94.0 2387.6		
46 DN1150	48.0 1219.2			96 DN2400	100.0 2540.0		

• 更大规格请咨询上海威逊。

UGS挠性接头 128/128B型

6 性能

管道公称尺寸	接头尺寸	最大允许工作压力	最大负载	弯矩
inches DN	inches mm	psi kPa	lbs N	ft-lbs N-M
12 DN300	14.0	350	53,000	31,500
	355.6	2413	235,756	42,710
14 DN350	16.0	350	70,000	47,000
	406.4	2413	311,376	63,720
16 DN400	18.0	350	89,000	67,000
	457.2	2413	395,892	90,840
18 DN450	20.0	350	105,000	92,000
	508.0	2413	467,064	124,740
20 DN500	22.0	350	130,000	125,000
	558.8	2413	578,268	169,480
22 DN550	24.0	350	155,000	160,000
	609.6	2413	689,474	216,930
24 DN600	26.0	300	155,000	175,000
	660.4	2068	689,474	237,270
26 DN650	28.0	300	180,000	220,000
	711.2	2068	800,680	298,280
28 DN700	30.0	300	210,000	270,000
	762.0	2068	934,126	366,070
30 DN750	32.0	300	240,000	325,000
	812.8	2068	1,067,574	440,640
32 DN800	34.0	300	270,000	390,000
	863.6	2068	1,201,020	528,770
34 DN850	36.0	300	305,000	460,000
	914.4	2068	1,356,708	623,680
36 DN900	38.0	300	340,000	540,000
	965.2	2068	1,512,396	732,140
38 DN950	40.0	300	375,000	630,000
	1016.0	2068	1,668,084	854,170
40 DN1000	42.0	300	415,000	730,000
	1066.8	2068	1,846,012	989,750
42 DN1050	44.0	232	350,000	650,000
	1117.6	1600	1,556,878	881,280
44 DN1100	46.0	232	385,000	740,000
	1168.4	1600	1,712,566	1,003,310
46 DN1150	48.0	232	415,000	840,000
	1219.2	1600	1,846,012	1,138,890

更大规格请咨询上海威逊

UGS挠性接头 128/128B型

管道公称尺寸	接头尺寸	最大允许工作压力	最大负载	弯矩
inches DN	inches mm	psi kPa	lbs N	ft-lbs N-M
48 DN1200	50.0	232	455,000	950,000
	1270.0	1600	2,023,942	1,288,030
50 DN1250	52.0	250	530,000	1,160,000
	1320.8	1724	2,357,558	1,572,750
52 DN1300	54.0	250	570,000	1,290,000
	1371.6	1724	2,535,486	1,749,010
54 DN1350	56.0	250	610,000	1,440,000
	1422.4	1724	2,713,416	1,952,380
56 DN1400	58.0	250	660,000	1,600,000
	1473.2	1724	2,935,826	2,169,310
58 DN1450	60.0	250	700,000	1,770,000
	1524.0	1724	3,113,756	2,399,800
60 DN1500	62.0	250	750,000	1,950,000
	1574.8	1724	3,336,166	2,643,840
62 DN1550	64.0	250	800,000	2,150,000
	1625.6	1724	3,558,578	2,915,010
64 DN1600	66.0	250	850,000	2,360,000
	1676.4	1724	3,780,988	3,199,730
66 DN1650	68.0	250	900,000	2,580,000
	1727.2	1724	4,003,400	3,498,010
68 DN1700	70.0	250	960,000	2,810,000
	1778.0	1724	4,270,294	3,809,850
70 DN1750	72.0	250	1,010,000	3,060,000
	1828.8	1724	4,492,704	4,148,800
72 DN1800	74.0	250	1,070,000	3,320,000
	1879.6	1724	4,759,598	4,501,320
74 DN1850	78.0	250	1,190,000	3,890,000
	1981.2	1724	5,293,384	5,274,130
80 DN2000	84.0	250	1,380,000	4,850,000
	2133.6	1724	6,138,546	6,575,720
84 DN2100	88.0	250	1,520,000	5,580,000
	2235.2	1724	6,761,298	7,565,460
90 DN2250	94.0	250	1,730,000	6,800,000
	2387.6	1724	7,695,424	9,219,560
96 DN2400	100.0	250	1,960,000	8,190,000
	2540.0	1724	8,718,516	11,104,150

更大规格请咨询上海威逊

UGS挠性接头 128/128B型

接头尺寸	安装扭矩
inches DN	ft. lbs. N•m
14, 16, 18	250
DN350, DN400, DN450	338
20, 22, 24, 26, 28	375
DN500, DN550, DN600, DN650, DN700	508
30, 32, 34, 36, 38	500
DN750, DN800, DN850, DN900, DN950	678
40, 42, 44, 46, 48, 50	600
DN1000, DN1050, DN1100, DN1150, DN1200, DN1250	814
52, 54, 56, 58, 60, 62, 64, 66, 68, 70, 72, 74	1225
DN1300, DN1350, DN1400, DN1450, DN1500, DN1550, DN1600, DN1650, DN1700, DN1750, DN1800, DN1850	1660
78, 84, 88, 94, 100	2000
DN1950, DN2100, DN2200, DN2350, DN2500	2712
更大规格请咨询上海威逊	